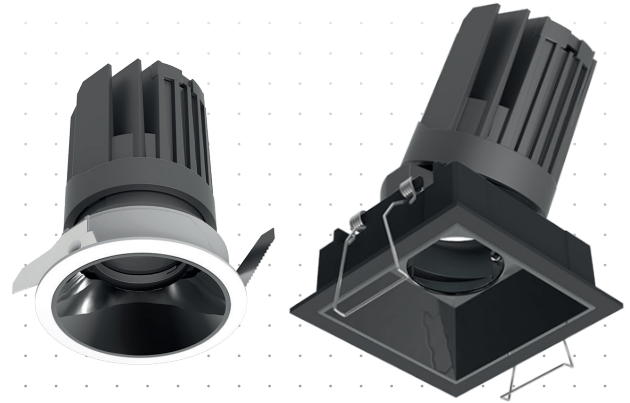


ESP1-S20

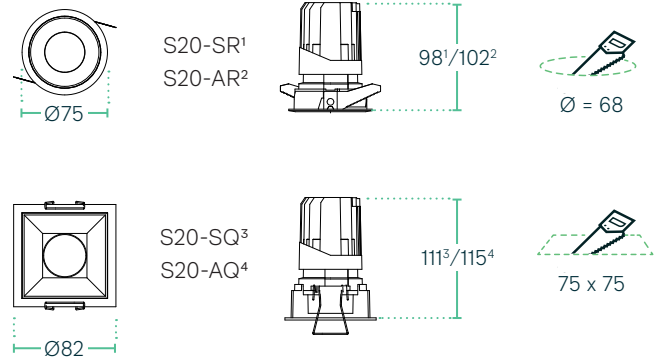
SR
AR
SQ
AQ



Technische Daten ESP1-S20

| | |
|------------------------------|-------------------------|
| Leistung | 14,0 - 15,2 W |
| Betriebsspannung | 230 V AC, 50 Hz |
| Leuchtentyp | Deckeneinbauleuchte |
| LED Type | COB |
| Steuerung | nein |
| Lichteffizienz | bis zu 114 lm/W |
| Farbkonsistenz | SDCM3 |
| Lebensdauer | L90 B10 50.000 h @ 25°C |
| Umgebungstemperatur | -15°C bis +40°C |
| Gehäuse | Aluminium |
| Dreh- / Schwenkwinkel | 359° / 30° |
| Garantie | 5 Jahre |

Abmessungen (in mm)



Gehäusefarben



RAL 9016 RAL 9005

Highlights

Professionelle Einbaustrahlerserie in großer Variantenvielfalt für hochwertige Anwendungen in Architektur-, Ausstellungs-, Büro- und Heimanwendungen. Entblendungs- und effizienzoptimiertes optisches System (bis zu 114lm/W bei UGR >16) mit hoher Farbwiedergabe (CRI <90). Inklusive externem Betriebsgerät über Steckerverbindung.

- Besonders hoher visueller Sehkomfort
- drei verschiedene Leistungsklassen
- drei verschiedene Lichtfarben und Tunable White Variante mit hohem CRI
- TW Variante von superwarmweiß bis neutralweiß (1800K - 4000K)
- Montagefreundliche Federbügelbefestigung
- zusätzliches optisches Zubehör erhältlich: Linear Spread, Honeycomb, Soft-Filter
- Unterschiedliche Reflektorfarben erhältlich: schwarz matt, silber, weiß, gold

Artikelübersicht, ESP1-S20-SR

| Produkt-code | Artikel-nummer | Leistung | Farb-temperatur | CRI | Licht-strom | Abstrahl-winkel | UGR | Gehäuse-farbe |
|----------------------------|----------------|----------|-----------------|-----|-------------|-----------------|-----|---------------|
| ESP1-S20-SR-927-25-W-S | 8103851 | 14,0 W | 2700 K | 90 | 1563 lm | 25° | 15 | weiß |
| ESP1-S20-SR-927-25-B-S | 8103852 | 14,0 W | 2700 K | 90 | 1563 lm | 25° | 15 | schwarz |
| ESP1-S20-SR-927-40-W-S | 8103853 | 14,0 W | 2700 K | 90 | 1563 lm | 40° | 16 | weiß |
| ESP1-S20-SR-927-40-B-S | 8103854 | 14,0 W | 2700 K | 90 | 1563 lm | 40° | 16 | schwarz |
| ESP1-S20-SR-927-55-W-S | 8103855 | 14,0 W | 2700 K | 90 | 1563 lm | 55° | 19 | weiß |
| ESP1-S20-SR-927-55-B-S | 8103856 | 14,0 W | 2700 K | 90 | 1563 lm | 55° | 19 | schwarz |
| ESP1-S20-SR-930-25-W-S | 8103857 | 14,0 W | 3000 K | 90 | 1595 lm | 25° | 16 | weiß |
| ESP1-S20-SR-930-25-B-S | 8103858 | 14,0 W | 3000 K | 90 | 1595 lm | 25° | 16 | schwarz |
| ESP1-S20-SR-930-40-W-S | 8103859 | 14,0 W | 3000 K | 90 | 1595 lm | 40° | 16 | weiß |
| ESP1-S20-SR-930-40-B-S | 8103860 | 14,0 W | 3000 K | 90 | 1595 lm | 40° | 16 | schwarz |
| ESP1-S20-SR-930-55-W-S | 8103861 | 14,0 W | 3000 K | 90 | 1595 lm | 55° | 20 | weiß |
| ESP1-S20-SR-930-55-B-S | 8103862 | 14,0 W | 3000 K | 90 | 1595 lm | 55° | 20 | schwarz |
| ESP1-S20-SR-940-25-W-S | 8103863 | 14,0 W | 4000 K | 90 | 1602 lm | 25° | 16 | weiß |
| ESP1-S20-SR-940-25-B-S | 8103864 | 14,0 W | 4000 K | 90 | 1602 lm | 25° | 16 | schwarz |
| ESP1-S20-SR-940-40-W-S | 8103865 | 14,0 W | 4000 K | 90 | 1602 lm | 40° | 16 | weiß |
| ESP1-S20-SR-940-40-B-S | 8103866 | 14,0 W | 4000 K | 90 | 1602 lm | 40° | 16 | schwarz |
| ESP1-S20-SR-940-55-W-S | 8103867 | 14,0 W | 4000 K | 90 | 1602 lm | 55° | 20 | weiß |
| ESP1-S20-SR-940-55-B-S | 8103868 | 14,0 W | 4000 K | 90 | 1602 lm | 55° | 20 | schwarz |
| ESP1-S20-SR-918-940-25-W-D | 8103869 | 15,2 W | 1800 K - 4000 K | 90 | 1074 lm | 25° | 14 | weiß |
| ESP1-S20-SR-918-940-25-B-D | 8103870 | 15,2 W | 1800 K - 4000 K | 90 | 1074 lm | 25° | 14 | schwarz |
| ESP1-S20-SR-918-940-40-W-D | 8103871 | 15,2 W | 1800 K - 4000 K | 90 | 1074 lm | 40° | 15 | weiß |
| ESP1-S20-SR-918-940-40-B-D | 8103872 | 15,2 W | 1800 K - 4000 K | 90 | 1074 lm | 40° | 15 | schwarz |
| ESP1-S20-SR-918-940-55-W-D | 8103873 | 15,2 W | 1800 K - 4000 K | 90 | 1074 lm | 55° | 18 | weiß |
| ESP1-S20-SR-918-940-55-B-D | 8103874 | 15,2 W | 1800 K - 4000 K | 90 | 1074 lm | 55° | 18 | schwarz |

Artikelübersicht, ESP1-S20-SQ

| Produkt-code | Artikel-nummer | Leistung | Farb-temperatur | CRI | Licht-strom | Abstrahl-winkel | UGR | Gehäuse-farbe |
|----------------------------|----------------|----------|-----------------|-----|-------------|-----------------|-----|---------------|
| ESP1-S20-SQ-927-25-W-S | 8103875 | 14,0 W | 2700 K | 90 | 1311 lm | 25° | 4 | weiß |
| ESP1-S20-SQ-927-25-B-S | 8103876 | 14,0 W | 2700 K | 90 | 1311 lm | 25° | 4 | schwarz |
| ESP1-S20-SQ-927-40-W-S | 8103877 | 14,0 W | 2700 K | 90 | 1311 lm | 40° | 3 | weiß |
| ESP1-S20-SQ-927-40-B-S | 8103878 | 14,0 W | 2700 K | 90 | 1311 lm | 40° | 3 | schwarz |
| ESP1-S20-SQ-927-55-W-S | 8103879 | 14,0 W | 2700 K | 90 | 1311 lm | 55° | 4 | weiß |
| ESP1-S20-SQ-927-55-B-S | 8103880 | 14,0 W | 2700 K | 90 | 1311 lm | 55° | 4 | schwarz |
| ESP1-S20-SQ-930-25-W-S | 8103881 | 14,0 W | 3000 K | 90 | 1337 lm | 25° | 5 | weiß |
| ESP1-S20-SQ-930-25-B-S | 8103882 | 14,0 W | 3000 K | 90 | 1337 lm | 25° | 5 | schwarz |
| ESP1-S20-SQ-930-40-W-S | 8103883 | 14,0 W | 3000 K | 90 | 1337 lm | 40° | 3 | weiß |
| ESP1-S20-SQ-930-40-B-S | 8103884 | 14,0 W | 3000 K | 90 | 1337 lm | 40° | 3 | schwarz |
| ESP1-S20-SQ-930-55-W-S | 8103885 | 14,0 W | 3000 K | 90 | 1337 lm | 55° | 4 | weiß |
| ESP1-S20-SQ-930-55-B-S | 8103886 | 14,0 W | 3000 K | 90 | 1337 lm | 55° | 4 | schwarz |
| ESP1-S20-SQ-940-25-W-S | 8103887 | 14,0 W | 4000 K | 90 | 1343 lm | 25° | 5 | weiß |
| ESP1-S20-SQ-940-25-B-S | 8103888 | 14,0 W | 4000 K | 90 | 1343 lm | 25° | 5 | schwarz |
| ESP1-S20-SQ-940-40-W-S | 8103889 | 14,0 W | 4000 K | 90 | 1343 lm | 40° | 3 | weiß |
| ESP1-S20-SQ-940-40-B-S | 8103890 | 14,0 W | 4000 K | 90 | 1343 lm | 40° | 3 | schwarz |
| ESP1-S20-SQ-940-55-W-S | 8103891 | 14,0 W | 4000 K | 90 | 1343 lm | 55° | 4 | weiß |
| ESP1-S20-SQ-940-55-B-S | 8103892 | 14,0 W | 4000 K | 90 | 1343 lm | 55° | 4 | schwarz |
| ESP1-S20-SQ-918-940-25-W-D | 8103893 | 15,2 W | 1800 K - 4000 K | 90 | 901 lm | 25° | 3 | weiß |
| ESP1-S20-SQ-918-940-25-B-D | 8103894 | 15,2 W | 1800 K - 4000 K | 90 | 901 lm | 25° | 3 | schwarz |
| ESP1-S20-SQ-918-940-40-W-D | 8103895 | 15,2 W | 1800 K - 4000 K | 90 | 901 lm | 40° | 2 | weiß |
| ESP1-S20-SQ-918-940-40-B-D | 8103896 | 15,2 W | 1800 K - 4000 K | 90 | 901 lm | 40° | 2 | schwarz |
| ESP1-S20-SQ-918-940-55-W-D | 8103897 | 15,2 W | 1800 K - 4000 K | 90 | 901 lm | 55° | 3 | weiß |
| ESP1-S20-SQ-918-940-55-B-D | 8103898 | 15,2 W | 1800 K - 4000 K | 90 | 901 lm | 55° | 3 | schwarz |

Artikelübersicht, ESP1-S20-AR

| Produkt-code | Artikel-nummer | Leistung | Farb-temperatur | CRI | Licht-strom | Abstrahl-winkel | UGR | Gehäuse-farbe |
|----------------------------|----------------|----------|-----------------|-----|-------------|-----------------|-----|---------------|
| ESP1-S20-AR-927-25-W-S | 8103899 | 14,0 W | 2700 K | 90 | 1563 lm | 25° | 15 | weiß |
| ESP1-S20-AR-927-25-B-S | 8103900 | 14,0 W | 2700 K | 90 | 1563 lm | 25° | 15 | schwarz |
| ESP1-S20-AR-927-40-W-S | 8103901 | 14,0 W | 2700 K | 90 | 1563 lm | 40° | 16 | weiß |
| ESP1-S20-AR-927-40-B-S | 8103902 | 14,0 W | 2700 K | 90 | 1563 lm | 40° | 16 | schwarz |
| ESP1-S20-AR-927-55-W-S | 8103903 | 14,0 W | 2700 K | 90 | 1563 lm | 55° | 19 | weiß |
| ESP1-S20-AR-927-55-B-S | 8103904 | 14,0 W | 2700 K | 90 | 1563 lm | 55° | 19 | schwarz |
| ESP1-S20-AR-930-25-W-S | 8103905 | 14,0 W | 3000 K | 90 | 1595 lm | 25° | 16 | weiß |
| ESP1-S20-AR-930-25-B-S | 8103906 | 14,0 W | 3000 K | 90 | 1595 lm | 25° | 16 | schwarz |
| ESP1-S20-AR-930-40-W-S | 8103907 | 14,0 W | 3000 K | 90 | 1595 lm | 40° | 16 | weiß |
| ESP1-S20-AR-930-40-B-S | 8103908 | 14,0 W | 3000 K | 90 | 1595 lm | 40° | 16 | schwarz |
| ESP1-S20-AR-930-55-W-S | 8103909 | 14,0 W | 3000 K | 90 | 1595 lm | 55° | 20 | weiß |
| ESP1-S20-AR-930-55-B-S | 8103910 | 14,0 W | 3000 K | 90 | 1595 lm | 55° | 20 | schwarz |
| ESP1-S20-AR-940-25-W-S | 8103911 | 14,0 W | 4000 K | 90 | 1602 lm | 25° | 16 | weiß |
| ESP1-S20-AR-940-25-B-S | 8103912 | 14,0 W | 4000 K | 90 | 1602 lm | 25° | 16 | schwarz |
| ESP1-S20-AR-940-40-W-S | 8103913 | 14,0 W | 4000 K | 90 | 1602 lm | 40° | 16 | weiß |
| ESP1-S20-AR-940-40-B-S | 8103914 | 14,0 W | 4000 K | 90 | 1602 lm | 40° | 16 | schwarz |
| ESP1-S20-AR-940-55-W-S | 8103915 | 14,0 W | 4000 K | 90 | 1602 lm | 55° | 20 | weiß |
| ESP1-S20-AR-940-55-B-S | 8103916 | 14,0 W | 4000 K | 90 | 1602 lm | 55° | 20 | schwarz |
| ESP1-S20-AR-918-940-25-W-D | 8103917 | 15,2 W | 1800 K - 4000 K | 90 | 1074 lm | 25° | 14 | weiß |
| ESP1-S20-AR-918-940-25-B-D | 8103918 | 15,2 W | 1800 K - 4000 K | 90 | 1074 lm | 25° | 14 | schwarz |
| ESP1-S20-AR-918-940-40-W-D | 8103919 | 15,2 W | 1800 K - 4000 K | 90 | 1074 lm | 40° | 15 | weiß |
| ESP1-S20-AR-918-940-40-B-D | 8103920 | 15,2 W | 1800 K - 4000 K | 90 | 1074 lm | 40° | 15 | schwarz |
| ESP1-S20-AR-918-940-55-W-D | 8103921 | 15,2 W | 1800 K - 4000 K | 90 | 1074 lm | 55° | 18 | weiß |
| ESP1-S20-AR-918-940-55-B-D | 8103922 | 15,2 W | 1800 K - 4000 K | 90 | 1074 lm | 55° | 18 | schwarz |

Artikelübersicht, ESP1-S20-AQ

| Produkt-code | Artikel-nummer | Leistung | Farb-temperatur | CRI | Licht-strom | Abstrahl-winkel | UGR | Gehäuse-farbe |
|----------------------------|----------------|----------|-----------------|-----|-------------|-----------------|-----|---------------|
| ESP1-S20-AQ-927-25-W-S | 8103923 | 14,0 W | 2700 K | 90 | 1311 lm | 25° | 4 | weiß |
| ESP1-S20-AQ-927-25-B-S | 8103924 | 14,0 W | 2700 K | 90 | 1311 lm | 25° | 4 | schwarz |
| ESP1-S20-AQ-927-40-W-S | 8103925 | 14,0 W | 2700 K | 90 | 1311 lm | 40° | 3 | weiß |
| ESP1-S20-AQ-927-40-B-S | 8103926 | 14,0 W | 2700 K | 90 | 1311 lm | 40° | 3 | schwarz |
| ESP1-S20-AQ-927-55-W-S | 8103927 | 14,0 W | 2700 K | 90 | 1311 lm | 55° | 4 | weiß |
| ESP1-S20-AQ-927-55-B-S | 8103928 | 14,0 W | 2700 K | 90 | 1311 lm | 55° | 4 | schwarz |
| ESP1-S20-AQ-930-25-W-S | 8103929 | 14,0 W | 3000 K | 90 | 1337 lm | 25° | 5 | weiß |
| ESP1-S20-AQ-930-25-B-S | 8103930 | 14,0 W | 3000 K | 90 | 1337 lm | 25° | 5 | schwarz |
| ESP1-S20-AQ-930-40-W-S | 8103931 | 14,0 W | 3000 K | 90 | 1337 lm | 40° | 3 | weiß |
| ESP1-S20-AQ-930-40-B-S | 8103932 | 14,0 W | 3000 K | 90 | 1337 lm | 40° | 3 | schwarz |
| ESP1-S20-AQ-930-55-W-S | 8103933 | 14,0 W | 3000 K | 90 | 1337 lm | 55° | 4 | weiß |
| ESP1-S20-AQ-930-55-B-S | 8103934 | 14,0 W | 3000 K | 90 | 1337 lm | 55° | 4 | schwarz |
| ESP1-S20-AQ-940-25-W-S | 8103935 | 14,0 W | 4000 K | 90 | 1343 lm | 25° | 5 | weiß |
| ESP1-S20-AQ-940-25-B-S | 8103936 | 14,0 W | 4000 K | 90 | 1343 lm | 25° | 5 | schwarz |
| ESP1-S20-AQ-940-40-W-S | 8103937 | 14,0 W | 4000 K | 90 | 1343 lm | 40° | 3 | weiß |
| ESP1-S20-AQ-940-40-B-S | 8103938 | 14,0 W | 4000 K | 90 | 1343 lm | 40° | 3 | schwarz |
| ESP1-S20-AQ-940-55-W-S | 8103939 | 14,0 W | 4000 K | 90 | 1343 lm | 55° | 4 | weiß |
| ESP1-S20-AQ-940-55-B-S | 8103940 | 14,0 W | 4000 K | 90 | 1343 lm | 55° | 4 | schwarz |
| ESP1-S20-AQ-918-940-25-W-D | 8103941 | 15,2 W | 1800 K - 4000 K | 90 | 901 lm | 25° | 3 | weiß |
| ESP1-S20-AQ-918-940-25-B-D | 8103942 | 15,2 W | 1800 K - 4000 K | 90 | 901 lm | 25° | 3 | schwarz |
| ESP1-S20-AQ-918-940-40-W-D | 8103943 | 15,2 W | 1800 K - 4000 K | 90 | 901 lm | 40° | 2 | weiß |
| ESP1-S20-AQ-918-940-40-B-D | 8103944 | 15,2 W | 1800 K - 4000 K | 90 | 901 lm | 40° | 2 | schwarz |
| ESP1-S20-AQ-918-940-55-W-D | 8103945 | 15,2 W | 1800 K - 4000 K | 90 | 901 lm | 55° | 3 | weiß |
| ESP1-S20-AQ-918-940-55-B-D | 8103946 | 15,2 W | 1800 K - 4000 K | 90 | 901 lm | 55° | 3 | schwarz |