

TECHNICAL DATA

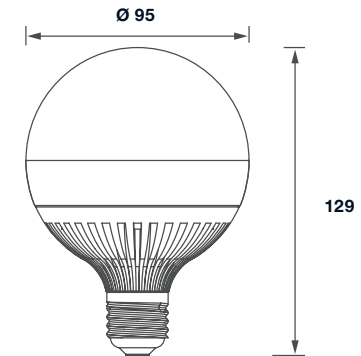
Operating voltage	230 V AC/DC 50 Hz
Power	11,6 W
Lamp shape	Globe
Socket	E27
Switching cycles	50.000
Lifetime	L70 B50 40.000 h @ 25°C
Start-up time up to 60% of the luminous flux	< 0,5 s
Ignition time	< 0,5 s
Powerfactor	> 0,5
CRI	80
Colour consistency	6 SDCM
Ambient temperature	-20°C to +40°C
Warranty	3 Years



TYPES



DIMENSIONS (mm)

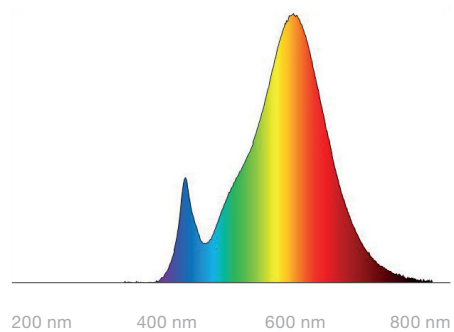


ARTICLE OVERVIEW

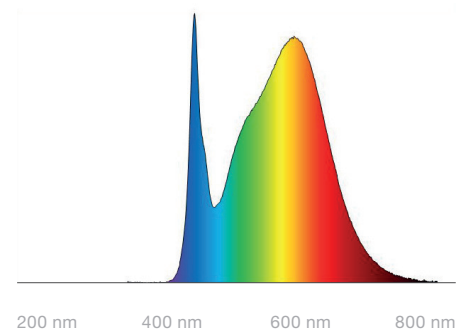
Item number	Power	Light colour	Optic	Useful luminous flux	Beam angle	Energy consumption	Control	Weight	EEL	QR-Code
9006092	10,5 W	2.700 K	Opal	984 lm	215°	11 kWh / 1000 h	Dimmbar	0,21 kg		
9006093	11,6 W	4.000 K	Opal	1.104 lm	215°	12 kWh / 1000 h	Dimmbar	0,21 kg		

SPECTRAL RADIATION DISTRIBUTION

Colour temperature 2.700 K



Colour temperature 4.000 K



IMPORTANT NOTES

All technical parameters apply to the entire product. Due to the complex manufacturing process of light-emitting diodes, the indicated typical LED parameters are purely statistical variables and may vary.

Mercury content	0,0 mg
Mercury-free	yes
Professional disposal according to WEEE	yes

NOTES TO THE LIFE TIME

Decisive factors for the life time are the ambient temperature and the operating temperature (Tc). Exceeding the permissible limits results in a substantial reduction of the life time and can even lead to the destruction of the products. The specified life time represents a statistical quantity.

NOTES TO ELECTRICAL AND PHOTOMETRIC DATA

Colour coordinates according to CIE 1931

Rated ambient temperature: $t_a = 25^\circ$

Measuring tolerance colour coordinates (x/y) +/- 0,005

Tolerance range of electrical / photometric data: +/- 10%

DISCLAIMER

Changes and errors excepted. Due to the continuous development of all products, technical and design changes can occur at any time. Make sure that you always use the latest version of the data sheet.

WARRANTY NOTES

Please refer to our warranty conditions on:

<https://www.ledxon.de/en/guarantee/>

Further product data as well as current information can be found at www.ledxon.com