

## TECHNICAL DATA

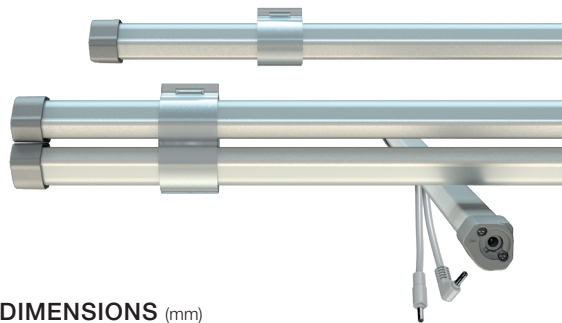
<b>Power</b>	6,3 - 10,5 W
<b>Operating voltage</b>	24 V DC
<b>Type of luminaire</b>	Light strip
<b>LED Type</b>	SMD
<b>Control</b>	PWM
<b>Light efficiency</b>	up to 140 lm/W
<b>Colour consistency</b>	SDCM3
<b>Lifetime</b>	L80 B10 50.000 h @ 10°C
<b>Ambient temperature</b>	-30°C to +10°C
<b>Material</b>	Metall/Kunststoff
<b>Cascading</b>	no
<b>Warranty</b>	5 Years
<b>Scope of delivery</b>	incl. 1 pc Hollow plug end cap



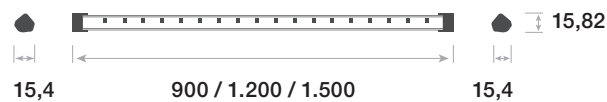
Further information on the control gear can be found in the installation instructions belonging to this product.



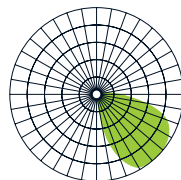
## TYPES



## DIMENSIONS (mm)



## BEAM ANGLE



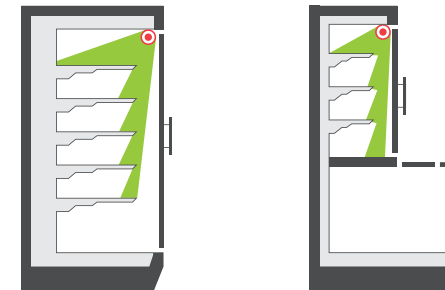
## HIGHLIGHTS

- cost effective retrofit system
- especially for refrigerated cabinets -30° to +10° (IP 65)
- Flexible integration with multiple accessories
- brilliant light with CRI 90
- Installation: via magnet or screw clip
- Splash water protected socket connectors (both sides)

## APPLICATIONS LCR-C

Mounting in the furniture head, for illumination of the upper shelves.

- Refrigerated multideck cabinet (open / closed)
- Freezer
- Combi Freezer



## STANDARDS LCR-SERIES

IEC 60598-1-2014

IEC 60598-1-2014/AMD1:2017

IEC 60598-2-1-2020

IEC 60335-1-2010

IEC 60335-1-2010/AMD1:2013

IEC 60335-1-2010/AMD2:2016

IEC 60335-2-89:2010

IEC 60335-2-89:2010/AMD1:2012

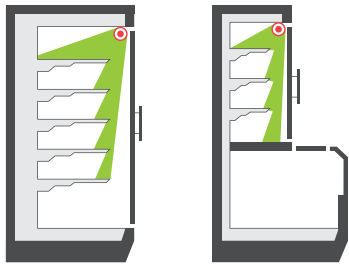
IEC 60335-2-89:2010/AMD2:2015

Item number	Productcode	Power	Light colour Ledxon	CRI	Luminous flux	Beam characteristic	Length
9100770	LCR-L900-940-C	6,3 W	4000 K	90	880 lm	Canopy	900 mm
9100771	LCR-L900-957-C	6,3 W	5700 K	90	880 lm	Canopy	900 mm
9100772	LCR-L900-FM-C	6,3 W	Fresh meat	90	620 lm	Canopy	900 mm
9100773	LCR-L1200-940-C	8,4 W	4000 K	90	1170 lm	Canopy	1200 mm
9100774	LCR-L1200-957-C	8,4 W	5700 K	90	1170 lm	Canopy	1200 mm
9100775	LCR-L1200-FM-C	8,4 W	Fresh meat	90	820 lm	Canopy	1200 mm
9100776	LCR-L1500-940-C	10,5 W	4000 K	90	1470 lm	Canopy	1500 mm
9100777	LCR-L1500-957-C	10,5 W	5700 K	90	1470 lm	Canopy	1500 mm
9100778	LCR-L1500-FM-C	10,5 W	Fresh meat	90	980 lm	Canopy	1500 mm

## LCR-C

Mounting in the furniture head, for illumination of the upper shelves.

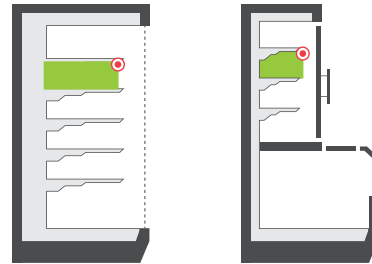
- Refrigerated multideck cabinet (open / closed)
- Freezer
- Combi Freezer



## LCR-H ASYM

Mounting at the bottom of the shelf, for illumination of the shelves.

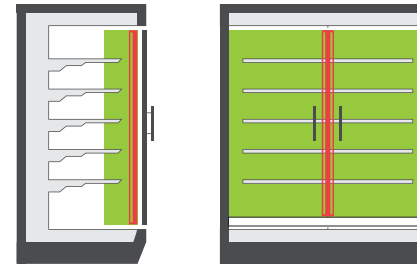
- Refrigerated multideck cabinet (open / closed)
- Freezer and Combi Freezer
- semi-verticals



## LCR-VC

Attachment to the door web (centered), for illumination of the goods front.

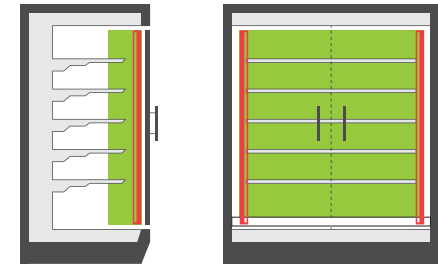
- Refrigerated multideck cabinet (closed)
- Freezer
- Combi Freezer



## LCR-VLR

Attachment to the door web (left or right), for illumination of the goods front.

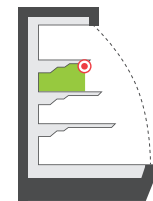
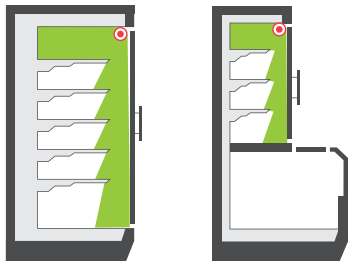
- Refrigerated multideck cabinet (closed)
- Freezer
- Combi Freezer



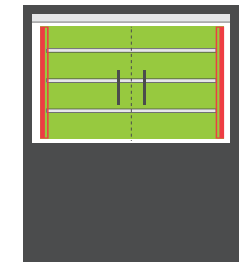
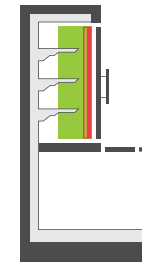
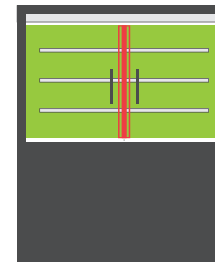
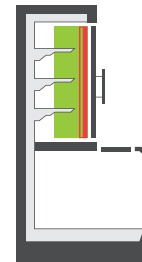
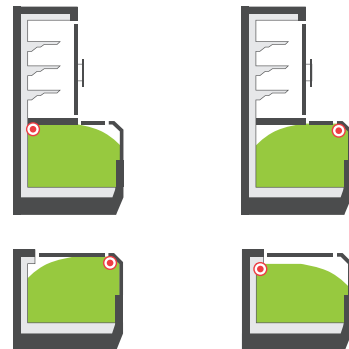
## LCR-CD

Mounting in the furniture head, for illumination of the top shelf and the entire front of the goods.

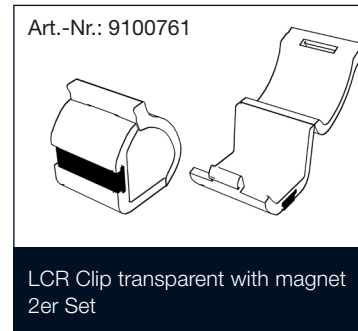
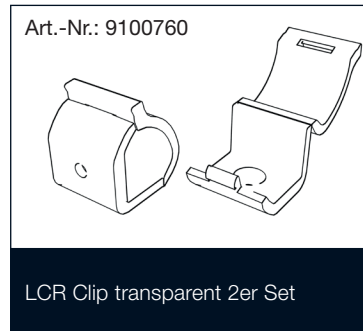
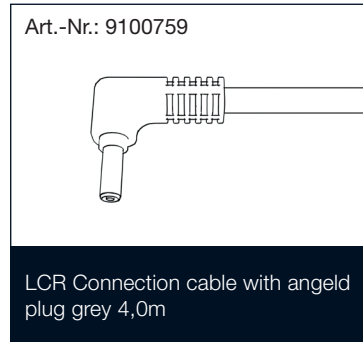
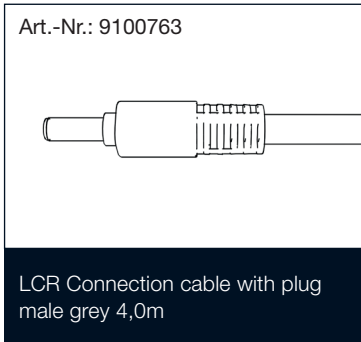
- Refrigerated multideck cabinet (open / closed)
- Freezer
- Combi Freezer



Attachment to the handrail or to the tub



## ACCESSORIES



itembezeichnung	Item number
Connection cable plug male Grey 4,0m	9100763
Connection cable angled plug Grey 4,0m	9100759
LCR Strip lock(plug) transparent	9100767
Hollow plug end cap Grey	9100769
LCR Clip transparent 2er Set	9100760
LCR Clip transparent 2er Set mit Magnet 2er Set	9100761

## IMPORTANT NOTES

All technical parameters apply to the entire product. Due to the complex manufacturing process of light emitting diodes, the specified typical LED parameters are only purely statistical values and may deviate.

The specified type of use must be strictly adhered to. Deviations may affect the stability of the fixture. Please observe the information in the mounting instructions before using the products.

The specified type of use must be observed. Deviations may affect the stability of the fastening. Before using the products, please observe the notes in the installation instructions.

<b>Mercury content</b>	0,0 mg
<b>Mercury-free</b>	yes
<b>Professional disposal according to WEEE</b>	yes

## NOTES TO THE LIFE TIME

Decisive factors for the life time are the ambient temperature and the operating temperature (Tc). Exceeding the permissible limits results in a substantial reduction of the life time and can even lead to the destruction of the products. The specified life time represents a statistical quantity.

## NOTES TO ELECTRICAL AND PHOTOMETRIC DATA

Colour coordinates according to CIE 1931

Rated ambient temperature:  $t_a = 25^\circ$

Measuring tolerance colour coordinates (x/y) +/- 0,005

Tolerance range of electrical / photometric data: +/- 10%

## DISCLAIMER

Changes and errors excepted. Due to the continuous development of all products, technical and design changes can occur at any time. Make sure that you always use the latest version of the data sheet.

## WARRANTY NOTES

Please refer to our warranty conditions on:

<https://www.ledxon.de/en/guarantee/>

Further product data as well as current information can be found at [www.ledxon.com](http://www.ledxon.com)

**5 YEARS**  
WARRANTY

