

## TECHNICAL DATA

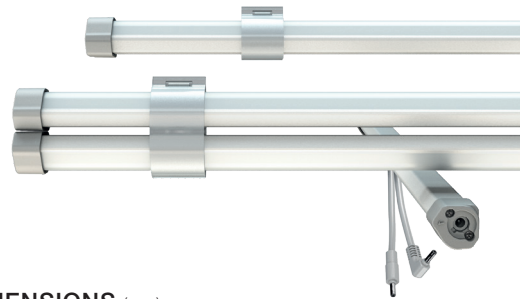
<b>Power</b>	2,1 - 8,4 W
<b>Operating voltage</b>	24 V DC
<b>Type of luminaire</b>	Light strip
<b>LED Type</b>	SMD
<b>Control</b>	PWM
<b>Light efficiency</b>	up to 117 lm/W
<b>Colour consistency</b>	SDCM3
<b>Lifetime</b>	L80 B10 50.000 h @ 10°C
<b>Ambient temperature</b>	-30°C to +10°C
<b>Material</b>	Metall/Kunststoff
<b>Cascading</b>	yes
<b>Warranty</b>	5 Years
<b>Scope of delivery</b>	incl. 1 pc Hollow plug end cap



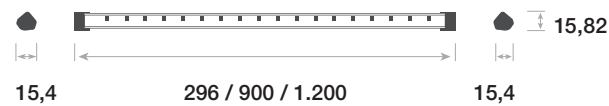
Further information on the control gear can be found in the installation instructions belonging to this product.



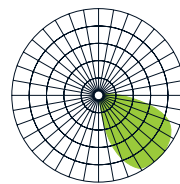
## TYPES



## DIMENSIONS (mm)



## BEAM ANGLE



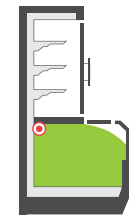
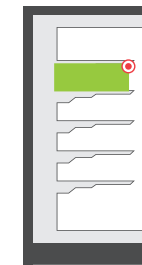
## HIGHLIGHTS

- cost effective retrofit system
- especially for refrigerated cabinets -30° to +10° (IP 65)
- Flexible integration with multiple accessories
- brilliant light with CRI 90
- Installation: via magnet or screw clip
- Splash water protected socket connectors (both sides)

## APPLICATIONS LCR-H

Mounting at the bottom of the shelf, for illumination of the shelves.

- Refrigerated multideck cabinet (open / closed)
- Freezer and Combi Freezer
- semi-verticals



Attachment to the handrail or to the tub

## STANDARDS LCR-SERIES

IEC 60598-1-2014

IEC 60598-1-2014/AMD1:2017

IEC 60598-2-1-2020

IEC 60335-1-2010

IEC 60335-1-2010/AMD1:2013

IEC 60335-1-2010/AMD2:2016

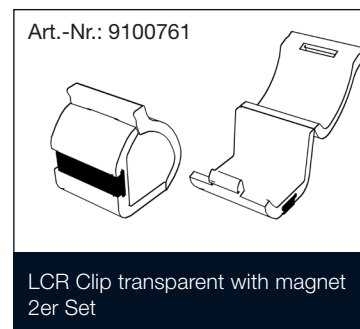
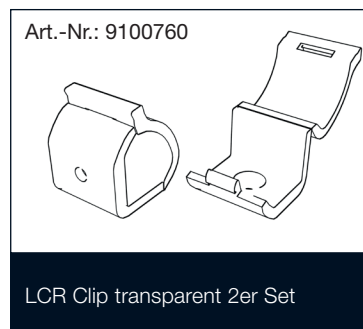
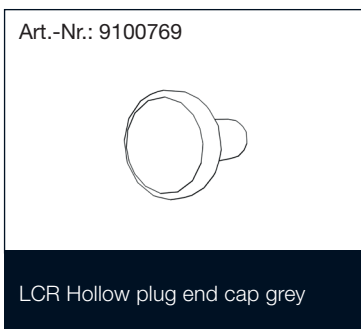
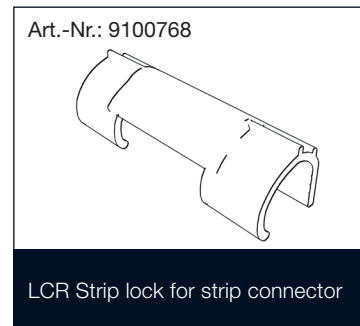
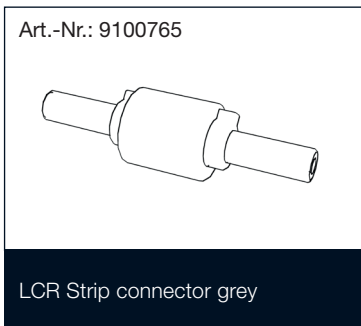
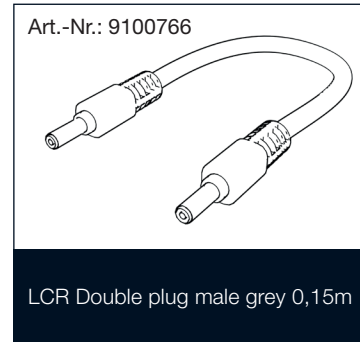
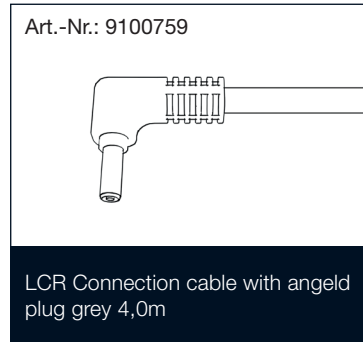
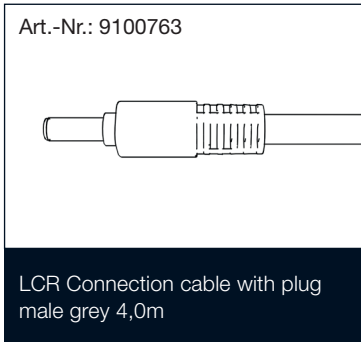
IEC 60335-2-89:2010

IEC 60335-2-89:2010/AMD1:2012

IEC 60335-2-89:2010/AMD2:2015

Item number	Productcode	Power	Light colour Ledxon	CRI	Luminous flux	Beam characteristic	Length	Casca- ding
9100686	LCR-L300-940-ASYM	2,1 W	4000 K	90	243 lm	Shelf / Handrail	296 mm	15
9100687	LCR-L300-957-ASYM	2,1 W	5700 K	90	243 lm	Shelf / Handrail	296 mm	15
9100688	LCR-L300-FM-ASYM	2,1 W	Fresh meat	90	189 lm	Shelf / Handrail	296 mm	15
9100689	LCR-L900-940-ASYM	6,3 W	4000 K	90	730 lm	Shelf / Handrail	900 mm	7
9100690	LCR-L900-957-ASYM	6,3 W	5700 K	90	730 lm	Shelf / Handrail	900 mm	7
9100691	LCR-L900-FM-ASYM	6,3 W	Fresh meat	90	568 lm	Shelf / Handrail	900 mm	7
9100692	LCR-L1200-940-ASYM	8,4 W	4000 K	90	975 lm	Shelf / Handrail	1200 mm	5
9100693	LCR-L1200-957-ASYM	8,4 W	5700 K	90	975 lm	Shelf / Handrail	1200 mm	5
9100694	LCR-L1200-FM-ASYM	8,4 W	Fresh meat	90	757 lm	Shelf / Handrail	1200 mm	5

## ACCESSORIES

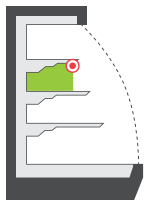
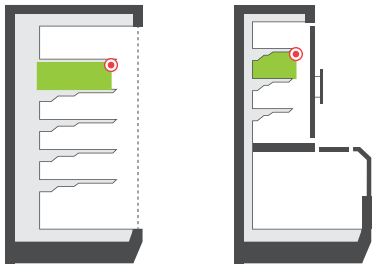


Item description	Item number
Connection cable plug male Grey 4,0m	9100763
Connection cable angled plug Grey 4,0m	9100759
Double plug male Grey 0,15m	9100766
LCR Strip connector Grey	9100765
LCR Strip lock for Strip connector	9100768
LCR Strip lock(plug) transparent	9100767
Hollow plug end cap Grey	9100769
LCR Clip transparent 2er Set	9100760
LCR Clip transparent 2er Set mit Magnet 2er Set	9100761

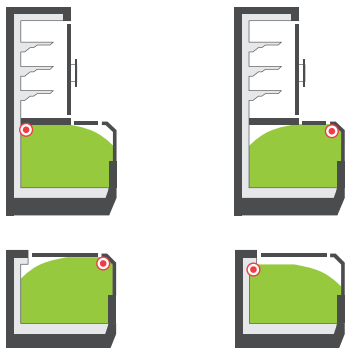
## LCR-H ASYM

Mounting at the bottom of the shelf, for illumination of the shelves.

- Refrigerated multideck cabinet (open / closed)
- Freezer and Combi Freezer
- semi-verticals



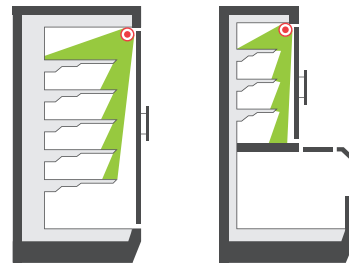
Attachment to the handrail or to the tub



## LCR-C

Mounting in the furniture head, for illumination of the upper shelves.

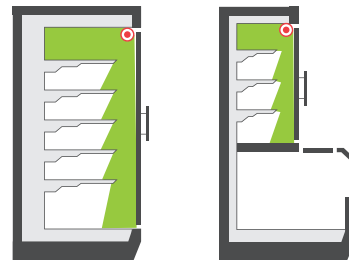
- Refrigerated multideck cabinet (open / closed)
- Freezer
- Combi Freezer



## LCR-CD

Mounting in the furniture head, for illumination of the top shelf and the entire front of the goods.

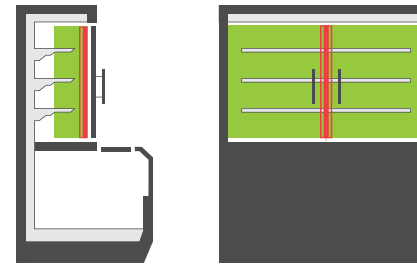
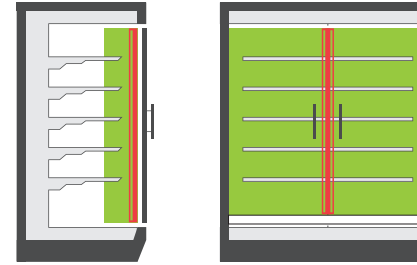
- Refrigerated multideck cabinet (open / closed)
- Freezer
- Combi Freezer



## LCR-VC

Attachment to the door web (centered), for illumination of the goods front.

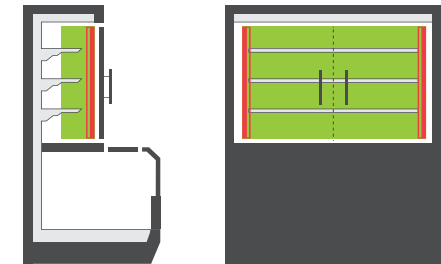
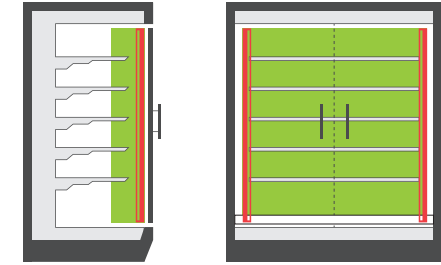
- Refrigerated multideck cabinet (closed)
- Freezer
- Combi Freezer



## LCR-VLR

Attachment to the door web (left or right), for illumination of the goods front.

- Refrigerated multideck cabinet (closed)
- Freezer
- Combi Freezer



## IMPORTANT NOTES

All technical parameters apply to the entire product. Due to the complex manufacturing process of light emitting diodes, the specified typical LED parameters are only purely statistical values and may deviate.

The specified type of use must be strictly adhered to. Deviations may affect the stability of the fixture. Please observe the information in the mounting instructions before using the products.

The specified type of use must be observed. Deviations may affect the stability of the fastening. Before using the products, please observe the notes in the installation instructions.

<b>Mercury content</b>	0,0 mg
<b>Mercury-free</b>	yes
<b>Professional disposal according to WEEE</b>	yes

## NOTES TO THE LIFE TIME

Decisive factors for the life time are the ambient temperature and the operating temperature (Tc). Exceeding the permissible limits results in a substantial reduction of the life time and can even lead to the destruction of the products. The specified life time represents a statistical quantity.

## NOTES TO ELECTRICAL AND PHOTOMETRIC DATA

Colour coordinates according to CIE 1931

Rated ambient temperature:  $t_a = 25^\circ$

Measuring tolerance colour coordinates (x/y) +/- 0,005

Tolerance range of electrical / photometric data: +/- 10%

## DISCLAIMER

Changes and errors excepted. Due to the continuous development of all products, technical and design changes can occur at any time. Make sure that you always use the latest version of the data sheet.

## WARRANTY NOTES

Please refer to our warranty conditions on:

<https://www.ledxon.de/en/guarantee/>

Further product data as well as current information can be found at [www.ledxon.com](http://www.ledxon.com)

**5 YEARS**  
WARRANTY

