

TECHNICAL DATA

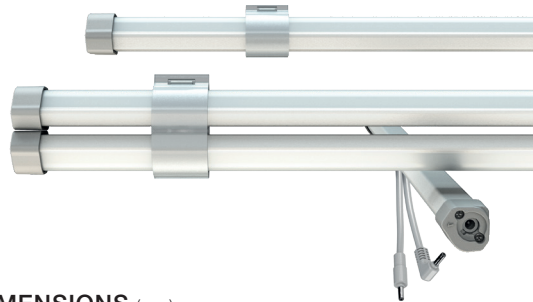
Power	7,5 - 17 W
Operating voltage	24 V DC
Type of luminaire	Light strip
LED Type	SMD
Control	PWM
Light efficiency	up to 105 lm/W
Colour consistency	SDCM3
Lifetime	L80 B10 50.000 h @ 10°C
Ambient temperature	-30°C to +10°C
Material	Metal/Kunststoff
Cascading	no
Warranty	5 Years
Scope of delivery	incl. 1 pc Hollow plug end cap



Further information on the control gear can be found in the installation instructions belonging to this product.



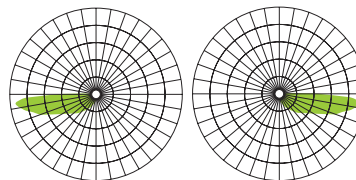
TYPES



DIMENSIONS (mm)



BEAM ANGLE



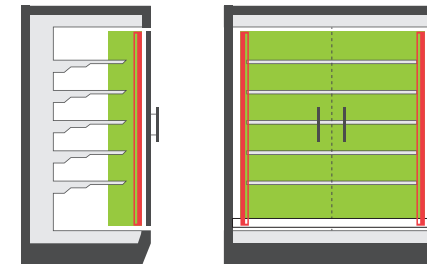
HIGHLIGHTS

- cost effective retrofit system
- especially for refrigerated cabinets -30° to +10° (IP 65)
- Flexible integration with multiple accessories
- brilliant light with CRI 90
- Installation: via magnet or screw clip
- Splash water protected socket connectors (both sides)

APPLICATIONS LCR-VLR

Attachment to the door web (left or right), for illumination of the goods front.

- Refrigerated multideck cabinet (open / closed)
- Freezer
- Combi Freezer



STANDARDS LCR-SERIES

IEC 60598-1-2014

IEC 60598-1-2014/AMD1:2017

IEC 60598-2-1-2020

IEC 60335-1-2010

IEC 60335-1-2010/AMD1:2013

IEC 60335-1-2010/AMD2:2016

IEC 60335-2-89:2010

IEC 60335-2-89:2010/AMD1:2012

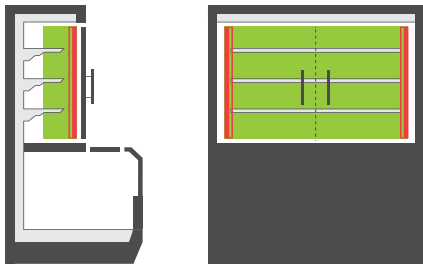
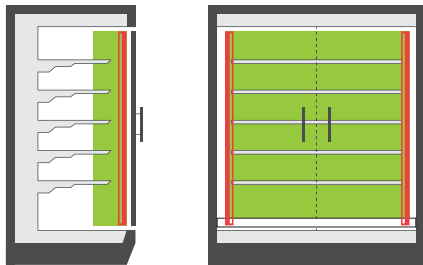
IEC 60335-2-89:2010/AMD2:2015

Item number	Productcode	Power	Light colour Ledxon	CRI	Luminous flux	Beam characteristic	Length
9100698	LCR-L750-940-VLR	7,5 W	4000 K	90	788 lm	Door ligament Single	752 mm
9100699	LCR-L750-957-VLR	7,5 W	5700 K	90	788 lm	Door ligament Single	752 mm
9100700	LCR-L750-FM-VLR	7,5 W	Fresh meat	90	675 lm	Door ligament Single	752 mm
9100740	LCR-L950-940-VLR	9,5 W	4000 K	90	1005 lm	Door ligament Single	952 mm
9100741	LCR-L950-957-VLR	9,5 W	5700 K	90	1005 lm	Door ligament Single	952 mm
9100742	LCR-L950-FM-VLR	9,5 W	Fresh meat	90	855 lm	Door ligament Single	952 mm
9100743	LCR-L1350-940-VLR	13,5 W	4000 K	90	1420 lm	Door ligament Single	1352 mm
9100744	LCR-L1350-957-VLR	13,5 W	5700 K	90	1420 lm	Door ligament Single	1352 mm
9100745	LCR-L1350-FM-VLR	13,5 W	Fresh meat	90	1215 lm	Door ligament Single	1352 mm
9100701	LCR-L1500-940-VLR	15 W	4000 K	90	1575 lm	Door ligament Single	1502 mm
9100702	LCR-L1500-957-VLR	15 W	5700 K	90	1575 lm	Door ligament Single	1502 mm
9100703	LCR-L1500-FM-VLR	15 W	Fresh meat	90	1350 lm	Door ligament Single	1502 mm
9100704	LCR-L1700-940-VLR	17 W	4000 K	90	1785 lm	Door ligament Single	1702 mm
9100705	LCR-L1700-957-VLR	17 W	5700 K	90	1785 lm	Door ligament Single	1702 mm
9100706	LCR-L1700-FM-VLR	17 W	Fresh meat	90	1530 lm	Door ligament Single	1702 mm

LCR-VLR

Attachment to the door web (left or right), for illumination of the goods front.

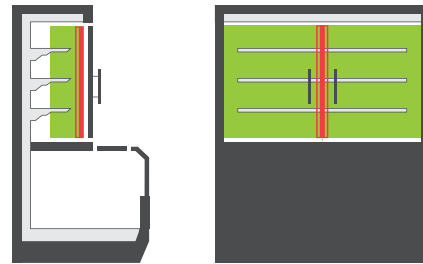
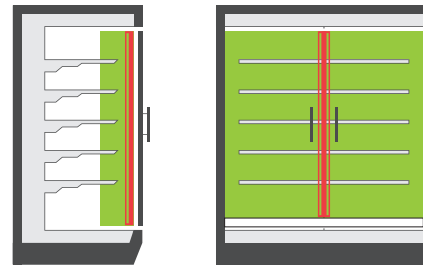
- Refrigerated multideck cabinet (closed)
- Freezer
- Combi Freezer



LCR-VC

Attachment to the door web (centered), for illumination of the goods front.

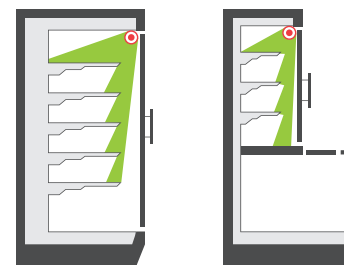
- Refrigerated multideck cabinet (closed)
- Freezer
- Combi Freezer



LCR-C

Mounting in the furniture head, for illumination of the upper shelves.

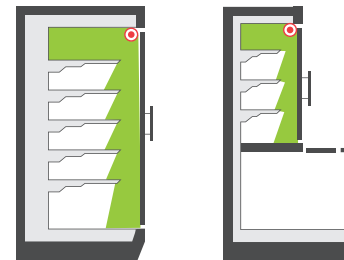
- Refrigerated multideck cabinet (open / closed)
- Freezer
- Combi Freezer



LCR-CD

Mounting in the furniture head, for illumination of the top shelf and the entire front of the goods.

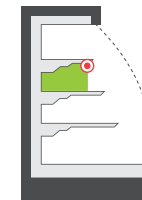
- Refrigerated multideck cabinet (open / closed)
- Freezer
- Combi Freezer



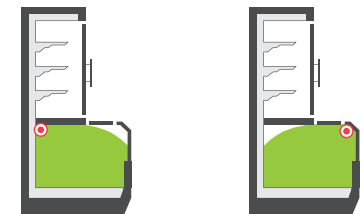
LCR-H ASYM

Mounting at the bottom of the shelf, for illumination of the shelves.

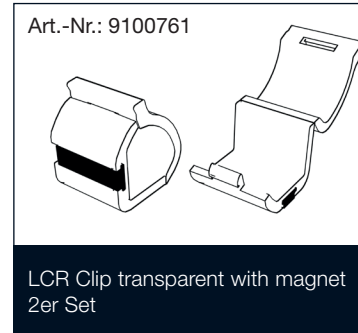
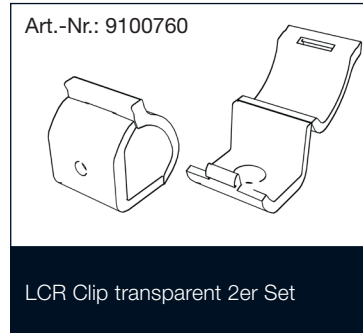
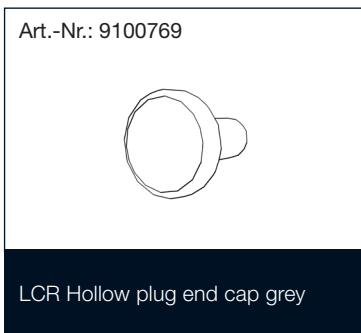
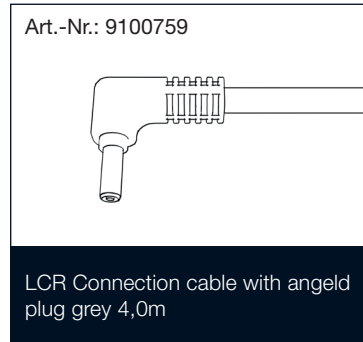
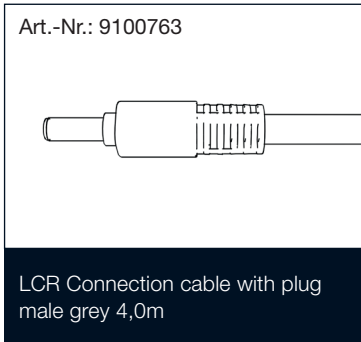
- Refrigerated multideck cabinet (open / closed)
- Freezer and Combi Freezer
- semi-verticals



Attachment to the handrail or to the tub



ACCESSORIES



itembezeichnung	Item number
Connection cable plug male Grey 4,0m	9100763
Connection cable angled plug Grey 4,0m	9100759
LCR Strip lock(plug) transparent	9100767
Hollow plug end cap Grey	9100769
LCR Clip transparent 2er Set	9100760
LCR Clip transparent 2er Set mit Magnet 2er Set	9100761

IMPORTANT NOTES

All technical parameters apply to the entire product. Due to the complex manufacturing process of light emitting diodes, the specified typical LED parameters are only purely statistical values and may deviate.

The specified type of use must be strictly adhered to. Deviations may affect the stability of the fixture. Please observe the information in the mounting instructions before using the products.

Mercury content	0,0 mg
Mercury-free	yes
Professional disposal according to WEEE	yes

NOTES TO THE LIFE TIME

Decisive factors for the life time are the ambient temperature and the operating temperature (T_c). Exceeding the permissible limits results in a substantial reduction of the life time and can even lead to the destruction of the products. The specified life time represents a statistical quantity.

NOTES TO ELECTRICAL AND PHOTOMETRIC DATA

Colour coordinates according to CIE 1931

Rated ambient temperature: $t_a = 25^\circ$

Measuring tolerance colour coordinates (x/y) +/- 0,005

Tolerance range of electrical / photometric data: +/- 10%

DISCLAIMER

Changes and errors excepted. Due to the continuous development of all products, technical and design changes can occur at any time. Make sure that you always use the latest version of the data sheet.

WARRANTY NOTES

Please refer to our warranty conditions on:

<https://www.ledxon.de/en/guarantee/>

Further product data as well as current information can be found at www.ledxon.com

5 YEARS
WARRANTY

